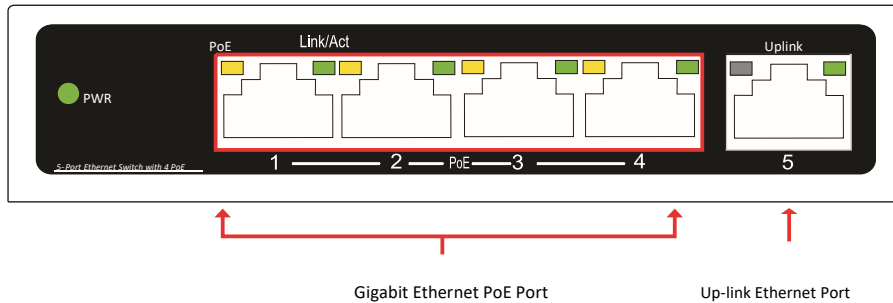


**Installation**

- Please use Cat5e or Cat6 TP cables not exceeding 100m in length to connect to network PD devices
- Connect power adapter to mains and to back power jack
- Power the RB-GES401-POE switch and check LED status for proper operation



# Gigabit PoE Ethernet Switch

## RB-GES401-POE

**Troubleshooting**

- Make sure all cables are following the EIA/TIA568A or 568B specifications
- If one end is following EIA/TIA 568A or 568B, the other end of same cable must be same identical type
- Check PD devices for power consumption, no single port should exceed 30W load
- Check that all PoE PD devices do not exceed 60W total consumption



User Manual

## Gigabit Power-over-Ethernet Ethernet Switch

### Order Information

RB-GES401-POE Gigabit 5 port switch with 4 PoE ports (60W total PoE power)

### Description

The RB-GES401-POE is a simple but reliable Gigabit Ethernet switch. Switch has a total PoE output of 60 watts.

With the RB-GES401-POE switch, PDs (such as IP Security Cameras, wireless access points) can be installed at powered through the unit itself. Four ports on the switch can provide a total of 60W of PoE power (15W per port) and a fifth port is available for 10/100/1000Base-Tx connectivity.

Switch has its own AC power adapter providing DC 48V @ 1.3A. RB-GES401-POE offers five Gigabit Ethernet ports with automatic link speed, duplex and auto direct/crossover negotiation and connectivity. This small switch is ideal for unmanaged data network hubs.

### Features

- 5 x 10/100/1000Base-Tx ports switch
- Conforms to IEEE802.3, IEEE 802.3u, IEEE 802.3ab, IEEE802.3af, IEEE802.3at
- 4 port PoE enabled ports, 65W power adapter
- Gigabit full-rate network throughput with 10G bandwidth backplane
- IEEE802.3x flow control
- FCC, CE compliant

For best performance and reach, please use only Cat5e and Cat6 rated cables. Lower grade cables will prevent proper operation of the Ethernet switch.

### Contents of package

- RB-GES401-POE switch
- AC 90-240V to DC48V power adapter
- User manual

### Technical Specifications

Power	AC 90-240V IN, DC48V OUT external power supply, 65W max power. Switch in standby (no PoE PD devices connected needs only 8W of power)
Interfaces	5 x RJ45 10/100/1000 Mbps half/full duplex auto, max. reach 328ft (100meters)
Ethernet Standards	IEEE 802.3/802.3u/802.3ab/802.3af/802.3at
PoE Output	Pin Assignment and Polarity: 1/2 (+), 3/6 (-), Output Power: up to 30W/port, orange LEDs, not exceeding 60W total PoE output
Connectors	Shielded RJ-45, EIA 568A and 568B
Switch characteristics	10G backplane capacity, max transfer rate 148,800 pps for 1000Mbps, 4K MAC address table
Dimensions	119mm x 85mm x 28mm, metal casing
Mounting	Desktop
Environmental Conditions	Operating Ambient Temperature: 0 to 40°C Operating Humidity: Maximum 85%, Non-condensing Storage Temperature: -30 to 70°C Storage Humidity: Maximum 95%, Non-condensing

### Application Diagram

