

**Technical Specifications**

No. of Channels	1
Pass Through Data Rates	10/100/1000 Mbps half/full duplex
Power over Ethernet Output	Pin Assignment and Polarity: Both 1/2 (-), 3/6 (+) and 7/8 (-), 4/5 (+)
Output Power Voltage	50V DC Output Power: up to 60W (15.4W under 802.3af)
Input Power Requirements	AC 100-240V input, 0.5A AC frequency: 50-60Hz
Connectors	Shielded RJ-45, EIA 568A and 568B
Network Cable Type	Outdoor type Shielded category 5 (or higher)
Dimensions	145mm x 60mm x 40mm
Mounting	Wall or shelf
Environmental Conditions	Operating Ambient Temperature: -10 to 40°C Operating Humidity: Maximum 85%, Non-condensing Storage Temperature: -30 to 70°C Storage Humidity: Maximum 95%, Non-condensing Indoor rated operating device
PoE compliance	IEEE 802.3af (PoE), IEEE 802.3at (PoE+), PoE++

# High Power 60W Gigabit PoE Injector

802.3af/802.3at compatible

## INJ-GE-60R



# User Manual

## High Power Gigabit Power-over-Ethernet Injector

### Order Information

INJ-GE-60R Gigabit PoE Injector 1(Data IN) and 1(Data/PoE OUT) 60W

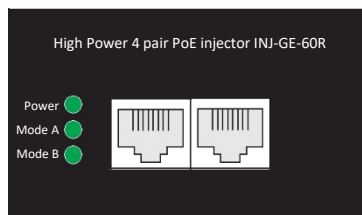
### Description

The INJ-GE-60R PoE Injector is a single port mid-span PoE injector that offers a compact and cost effective, fully IEEE 802.3at/af compliant solution for remote powering of wireless LAN (WAN) access points, IP Security cameras, VoIP telephone and other low port density installations.

The INJ-GE-60R injector supports 802.3af, 802.3at and PoE++ standards, delivering a maximum of 60W of power. It has a 3 pin IEC C14 plug for AC main input (90-240V) and comes with a standard C13 power cord in the package.

### Features

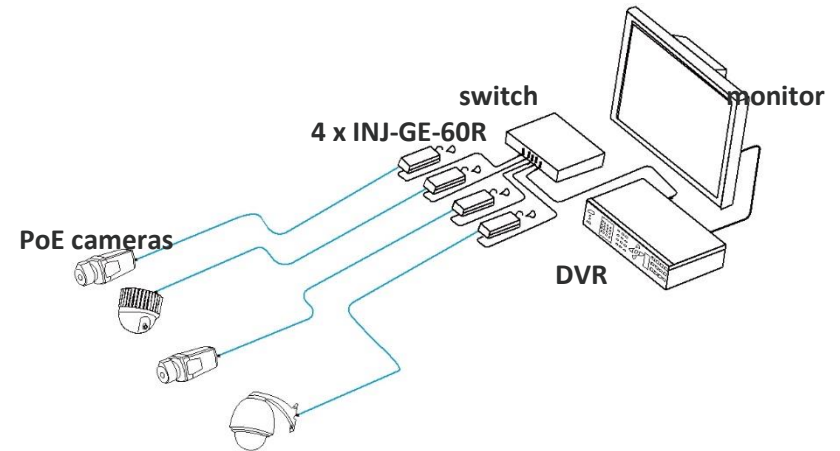
- Up to 15/30/60W of PoE Power delivered on 4-pairs
- Supports 10/100/1000 Base-T applications
- LED indicators for AC power input and PoE power output
- Internal AC/DC built-in converter for compact design
- Easy plug-and-play installation
- Multi-protection following the IEEE 802.3at/af standards
- Gigabit full-rate network throughput
- Wall-Mountable design (2 wall screw cross holes)
- Stack on rail for mounting multiple injectors in a single compact block



**PWR:** Power LED - a steady green light indicates that the PoE injector receives 100-240V AC power input

**Mode A:** PoE LED - a steady green light indicates that the PoE Injector delivers power to PD

### Application Diagram



The INJ-GE-60R PoE Injector is used with various PD (powered devices) providing power in remote locations where no power lines or outlets are available. Examples of PD PoE powered devices are WiFi APs, IP Cameras, IP Phones, etc.

### Installation steps:

1. Connect a Cat5e UTP cable from switch or data port to DataIN port on the INJ-GE-60R injector
2. Connect a Cat5e UTP cable from injector to final PD equipment (IP camera, etc.)
3. Connect AC power cord to AC mains.