

## Introduction

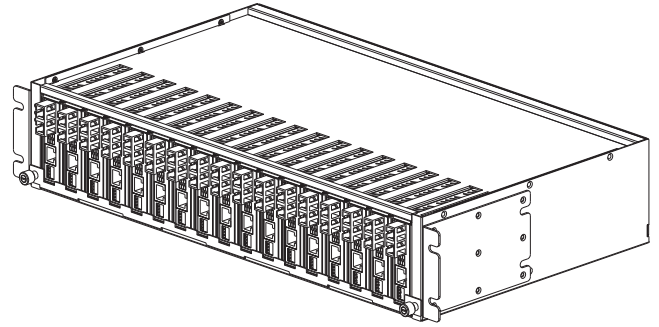
FMC-CH17 is a 2U 19-inch 17-slot Fiber Media Converter Rack with Internal AC or DC Power for any combination of FMC Media Converters. Up to seventeen Media converters can be powered by FMC-CH17 Converter Rack without the requirement for any external AC power adapter. FMC-CH17 Rack can be used as a table top unit or installed into a 19-inch rack. Available FMC Media Converters include FMC-10/100 Unmanaged Fast Ethernet Converter, FMC-1000ES Unmanaged Gigabit Ethernet Converter, FMC-10/100POE Converter, FMC-10/100POF-S Plastic Optic Fiber Converter with SMI Transceiver, FMC-10/100POF-O Plastic Optic Fiber Converter with OptoLock® Transceiver. As well as the VDTU2A-301 VDSL2 LAN Extender.

## Features

- 17 - Slots for FMC series Media Converters
- 2U, 19 - inch Rack Mount
- One cooling fan for the chassis
- Plug & Play Operation
- With fixed internal AC or DC Power Installed
- With power and Fan indicator LED
- With slide - in converter locking mechanism

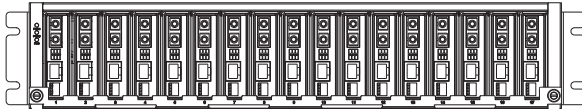
# User Guide

## Non Managed 2U 17-slot Fiber Media Converter Rack

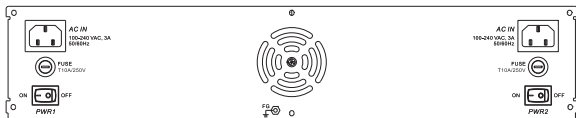


## Panel

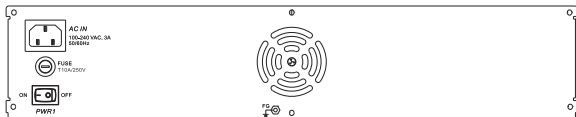
■ Figure 1. Front View of FMC-CH17



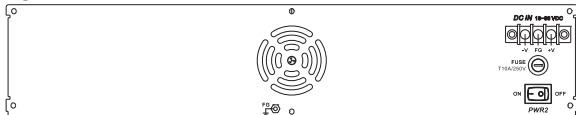
■ Figure 2. Rear Panel of FMC-CH17- AA



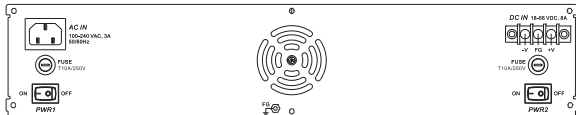
■ Figure 3. Rear Panel of FMC-CH17- AC



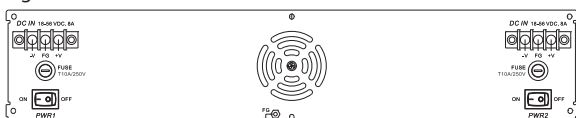
■ Figure 4. Rear Panel of FMC-CH17- DC



■ Figure 5. Rear Panel of FMC-CH17- AD



■ Figure 6. Rear Panel of FMC-CH17- DD



## Specifications

### ■ Slot Capacity :

17 Slide-in units

### ■ Power :

- AC Power Input : 100 - 240VAC, ±10%
- DC Power Input : 18 - 56 VDC
- Power Consumption : 100W max

### ■ Operation & Storage Temperature :

- Operating Temperature : 0°C – 50°C
- Storage Temperature : 0°C – 70°C
- Humidity : 5 – 90%

### ■ Dimension :

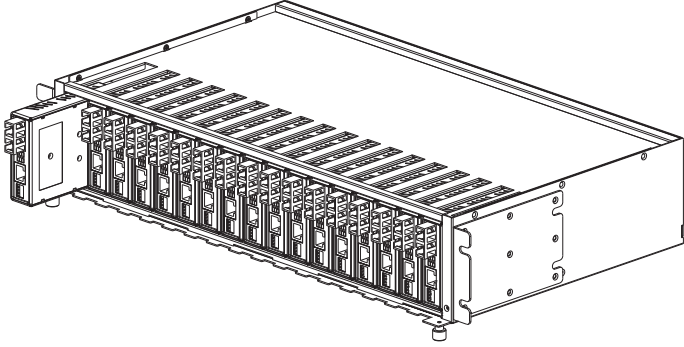
- Size : 476 x 274 x 88 mm ( W x D x H )
- Net Weight : 4kg

### ■ Emission / Safety :

- FCC Part 15 Class A, CE Mark

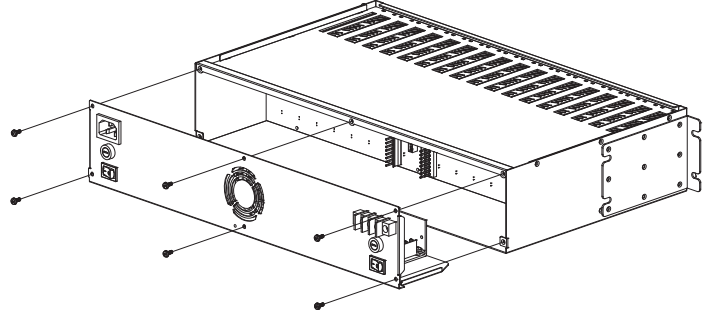
## Media Converter Installation

Carefully align the slider and slide tray. Then press in Media Converter with firm and steady pressure.



## Fan and Power Module Service

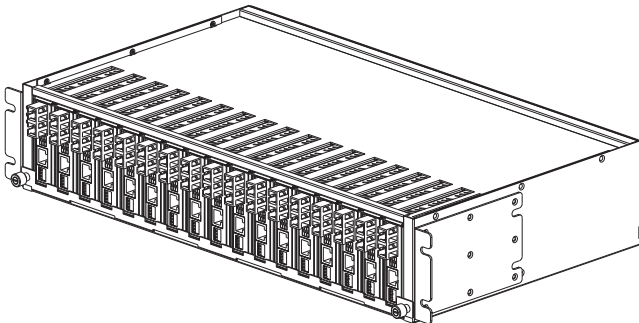
**WARNING:** Opening the unit should be performed by qualified service personnel only. Disconnect all power lines from the unit before proceeding.



## Installation

### Rack Mounting

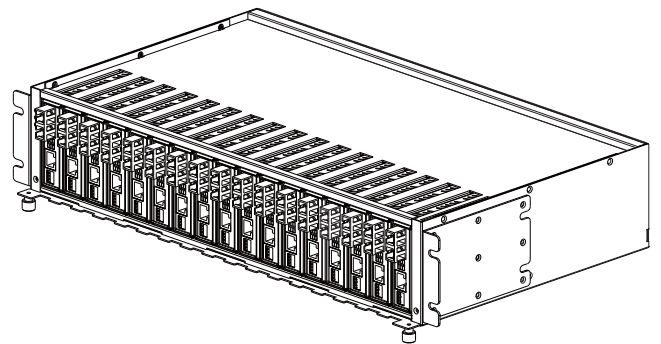
The FMC - CH17 Rack has the standard EIA 19 - Inch rack Mount capability. Each rack mount kit provides all the necessary hardware for a complete installation. The FMC - CH17 is shipped with rack mounting already installed.



### Note

Blank panels are placed on empty slots and should be removed before inserting converters. The directions are shown on the graphic below.

1. Unscrew the locking bracket's two thumb screws and let it swing down. The locking bracket may be unhooked from the main chassis. Slide the converter cards in or out of the chassis.



2. After inserting or removing converters from the chassis, swing the locking bar up and re-thread the two thumb screws. Tighten by hand only. This will keep converter locked in the chassis so they are not inadvertently pulled out when making or breaking UTP and fiber connections.