



## STE211W

2-port Serial to Ethernet Wireless Device Server

## STE211

2-port Serial to Ethernet Device Server

The serial to Ethernet wireless device server (STE211W) and serial to Ethernet device server (STE211) provide a bridging device to connect RS-232/RS-485 Serial Data communications to hardwired Ethernet networks or WiFi wireless networks. It connects serial devices such as PLC, alarm sensors and PTZ camera control to IP networks. Applications include industrial/factory automation, public safety, and surveillance systems. The Serial converter is built for use in light industrial environments, featuring a compact wall-mount design. It operates from 9-32VDC power supply voltages with terminal block connectors and is easy to configure through its web GUI interface.

### // Features

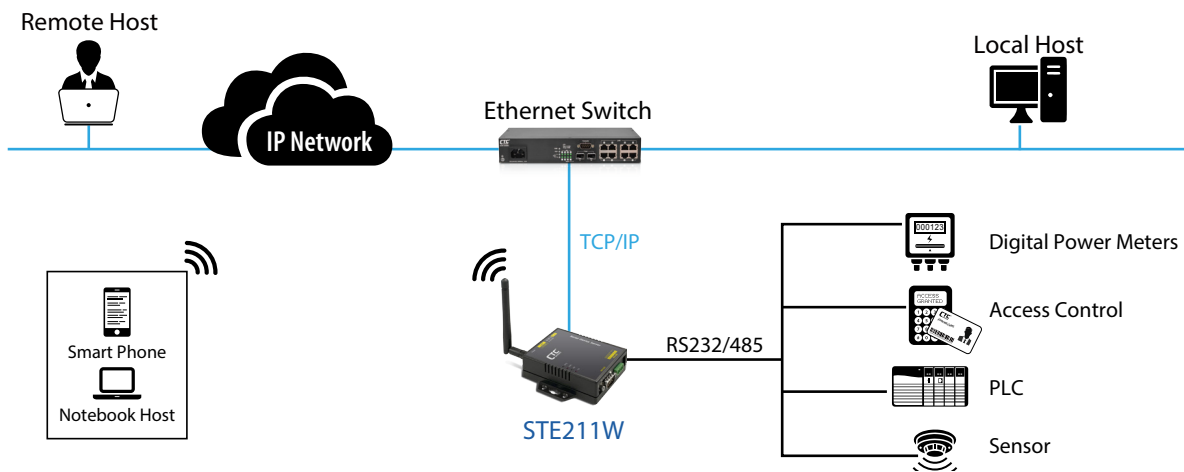
- 1-port RS-232 + 1-port RS-422/485
- As a Server, supports 4 TCP Clients connection simultaneously.
- As a Client, supports connecting with 4 TCP Servers.
- Easy installation with Windows IP Search utility
- Web browser configuration
- Supports 802.11b/g/n and Ethernet, 2 IPs (STE211W)
- Watch Dog Function

### // Specifications

<b>Ethernet</b>	Port Type	RJ-45 Connector
	Speed	10/100 M bps (Auto Detecting)
	Protocol	ARP, IP, ICMP, UDP, TCP, HTTP, DHCP, DNS, NTP
	Mode	TCP Server/TCP Client/UDP/Virtual Com
	Setup	HTTP Browser Setup (IE, Chrome, Firefox)
	Security	Setup Password
	Protection	Built-in 1.5KV Magnetic Isolation
<b>Serial Ports *2</b>	Port	RS-232 (RX/TX only)
	Port	RS-422 / 485 (Surge Protect)
	Speed	300 bps ~ 921.6 K bps
	Parity	None, Odd, Even
	Data Bit	5, 6, 7, 8
	Stop Bit	1, 2
	RS-232 Pins	Rx, Tx, GND
	RS-422	Rx+, Rx-, Tx+, Tx- (Surge Protect)
	RS-485	Data+, Data- (Surge Protect)
		15KV ESD for all signals
<b>WiFi (STE211W)</b>	Standard	802.11b/g/n
	Data Rate	11/54/72.2 Mbps @ 20Mhz Band Width
	Modulation	DSSS; OFDM
	Frequency	2.4GHz
	Tx Power 11b	Max. 22dBm
	Tx Power 11g/n	Max. 19dBm
	Rx Sensitivity	-76dBm@54Mbps; -89.5dBm@11Mbps
	Tx Rate	Max. 54Mbps with auto fallback
	Tx Distance	Up to 100 Meters
	Security	WEP 64-bit / 128-bit data encryption, WPA / WPA2
	Antenna	2 dBi ; RP-SMA connector
	Network Mode	Infrastructure; Soft AP (for Setup)

<b>LED</b>	SYS, RX, TX, LAN and WiFi (STE211W)	
<b>Power</b>	DC 9~32V, supports DC Jack & Terminal Input	
<b>Power Consumption</b>	2W	
<b>MTBF</b>	60,000 hours (MIL-HDBK-217)	
<b>Mechanical</b>	Dimensions	110 × 90 × 26 mm (WxDxH)
	Weight	110g
	Housing	plastic
<b>Installation Mounting</b>	Wall Mounting	
<b>Environment</b>	Operating Temperature	-20°C ~ 70°C
	Storage Temperature	-25°C ~ 80°C
<b>Certification</b>	FCC, CE	

### // Application



### // Ordering Information

Model Name	Description
<b>STE211W</b>	1 × RS232, 1 × RS422/485 Serial to Ethernet Wireless Device Server with Power Adapter
<b>STE211</b>	1 × RS232, 1 × RS422/485 Serial to Ethernet Device Server with Power Adapter