



RB-32FXSFXO-ETH4

32x POTS lines and 4x 10/100Base-TX to fiber

The RB-32FXSFXO-ETH4 set is designed to transport 32 POTS type telephone lines and 4x 10/100Base-Tx data over fiber optic, with high fidelity and with a universal, no setting, plug and play approach. The optical port requires a single strand of fiber, reaching up to 20Km over single-mode 9/125um or up to 1Km over multi-mode 50/125 or 62.5/125um fibers. LED indicators signal the power status, Ethernet/DATA, Fiber Link and Line status of each POTS port.

Features

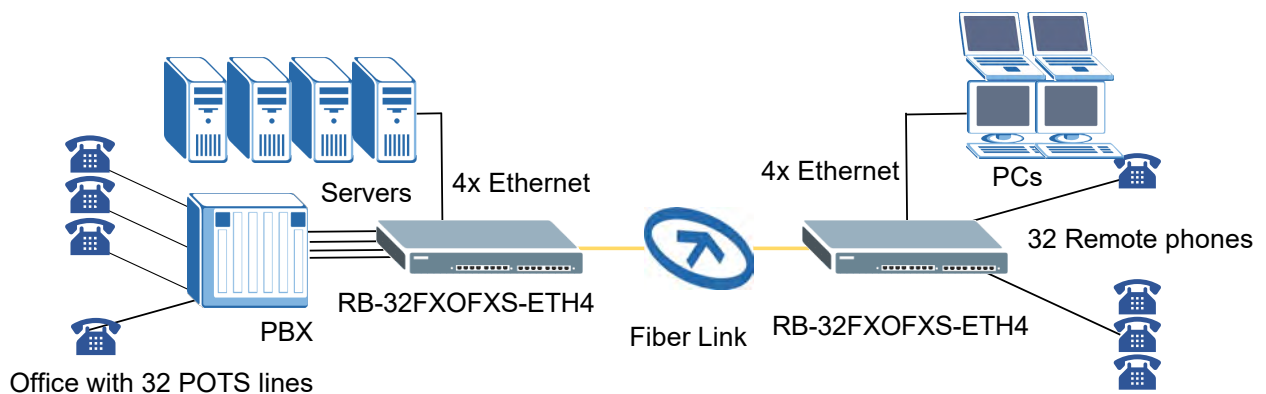
- 32x POTS (FXS/FXO) and 4x 10/100Base-Tx to fiber
- Multiplexes POTS and Ethernet data over one strand of fiber
- Uses transformer and photoelectric coupler for electrical isolation
- Supports Caller ID
- No compression, no delay, high fidelity speech sampling rate
- Plug and play design, no settings required
- Clear LED signals for complete status information
- All metal casing, hardened design for extreme temperature

Specifications

Optical Interface	Connector	single SC connector
	Data rate	optical 1.25G (GE)
	Duplex mode	Full duplex
	Fiber	MM 50/125µm, 62.5/125µm or SM 9/125µm
	Distance	20Km for SMF or 1Km for MMF
	Wavelength	WDM 1310nm/1550nm
Electrical Interface	Connector	4x RJ-45 10/100Base-Tx
	Data rate	10Mbps or 100Mbps
	Duplex mode	Full duplex
	Cable	100Base-TX Cat.5, 5e or higher

Standards	POTS compliant phone lines, 10/100Base-Tx
Indicators	LED (Power, Fiber Link, ETH1 ~ 4, Line 1 ~ 32)
Power Input	Power Input : AC 100 ~ 240V, 50-60Hz
	Power plug: IEC320-C14 AC input
Power Consumption	< 20W
Dimensions (D x W x H)	445 x 220 x 44mm
Weight	1200g
Temperature	-20 ~ 70°C (Operating), -40 ~ 85°C (Storage)
Humidity	10 ~ 90% non-condensing
Certifications	CE, FCC
MTBF	95,000 hrs

Application



Ordering Information

Model Name	Description
RB-32FXSFXO-ETH4	32x FXS/FXO and 4x 10/100Base-TX ports to fiber extender set, SC single connector, AC power cord incl.