

NEW



GW211W-MB

Modbus RTU to Modbus TCP Gateway

The ModbusWi-Fi/Ethernet/Serial Gateway, GW211W-MB provides an easy to deploy device to send Modbus serial data communications over a packet network such as Ethernet or TCP/IP on a hard-wired network or via WiFi. The Modbus Gateway works with standard Modbus Slave devices, such as PLCs, IoT Sensors, Energy meters (AMRs), Solar Inverters, Wind Turbines, IO Modules, Flow Meters and more. The Modbus Gateway is built for use in light industrial environments and features a compact wall-mount design. It operates from 9-32VDC power supply voltages with terminal block connectors and each Modbus Gateway is easily configure through its web GUI interface.

Features

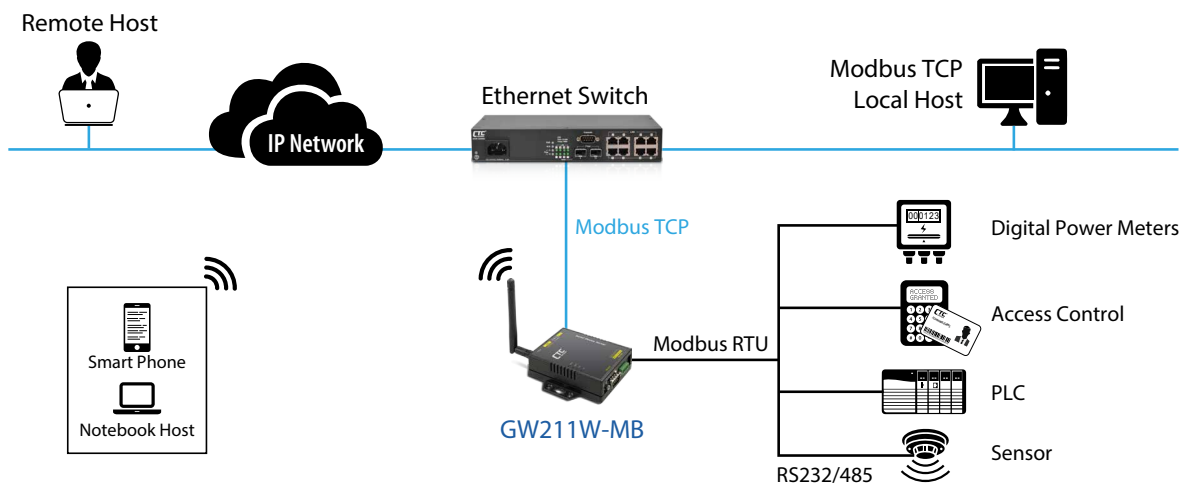
- TCP to RTU support 8 simultaneous TCP Master
- RTU to TCP support 8 TCP Slaves on each port.
- Software support : TCP to RTU Slaves, RTU to TCP Slaves
TCP to ASCII Slaves, ASCII to TCP Slaves
- Supports 802.11b/g/n and Ethernet, 2 IPs
- Web browser configuration
- Easy installation Windows utility
- On line F/W upgrade
- Watch Dog Function

Specifications

Ethernet	Port Type	RJ-45 Connector
	Speed	10/100 M bps (Auto Detecting)
	Protocol	ARP, IP, ICMP, UDP, TCP, HTTP, DHCP, DNS, NTP
	Mode	Modbus TCP
	Setup	HTTP Browser Setup (IE, Chrome, Firefox)
	Security	Setup Password
	Protection	Built-in 1.5KV Magnetic Isolation
Serial Ports *2	Port	RS-232*1
	Port	RS-422 / 485*1 (Surge Protect)
	Speed	300 bps ~ 921.6 K bps
	Parity	None, Odd, Even
	Data Bit	5, 6, 7, 8
	Stop Bit	1, 2
	RS-232 Pins	Rx, Tx, GND
	RS-422	Rx+, Rx-, Tx+, Tx- (Surge Protect)
	RS-485	Data+, Data- (Surge Protect)
	15KV ESD for all signals	
WiFi	Standard	802.11b/g/n
	Data Rate	11/54/72.2 Mbps @ 20Mhz Band Width
	Modulation	DSSS; OFDM
	Frequency	2.4GHz
	Tx Power 11b	Max. 22dBm

WiFi	Tx Power 11g/n	Max. 19dBm
	Rx Sensitivity	-76dBm@54Mbps; -89.5dBm@11Mbps
	Tx Rate	Max. 54Mbps with auto fallback
	Tx Distance	Up to 100 Meters
	Security	WEP 64-bit / 128-bit data encryption, WPA / WPA2
	Antenna	2 dBi ; RP-SMA connector
	Network Mode	Infrastructure; Soft AP (for Setup)
LED	SYS, WiFi, RX, TX, LAN	
Power	DC 9~32V, supports DC Jack & Terminal Input	
Power Consumption	2W	
MTBF	60,000 hours (MIL-HDBK-217)	
Mechanical	Dimensions	110 x 90 x 26 mm (W x D x H)
	Weight	110g
	Housing	plastic
Installation Mounting	Wall Mounting	
Environment	Operating Temperature	-20°C ~ 70°C
	Storage Temperature	-25°C ~ 80°C
	Certification	FCC, CE

Application



Ordering Information

Model Name	Description
GW211W-MB	1x RS232, 1x RS422/485 Modbus RTU to Modbus TCP Wireless Gateway with Power Adapter