

## Custom made CWDM rack mount and card format filters

### 1. Features

- ◆ Low Insertion Loss
- ◆ High Isolation
- ◆ Low PDL
- ◆ Compact Design
- ◆ Good Channel-to-channel Uniformity
- ◆ Wide Operating Wavelength:  
1260nm~1620nm or 1460nm~1620nm
- ◆ Wide Operating Temperature:  
-5°C ~ 75°C
- ◆ High Reliability and Stability



## 2. Applications

- ◆ CWDM System
- ◆ PON Networks
- ◆ CATV Links

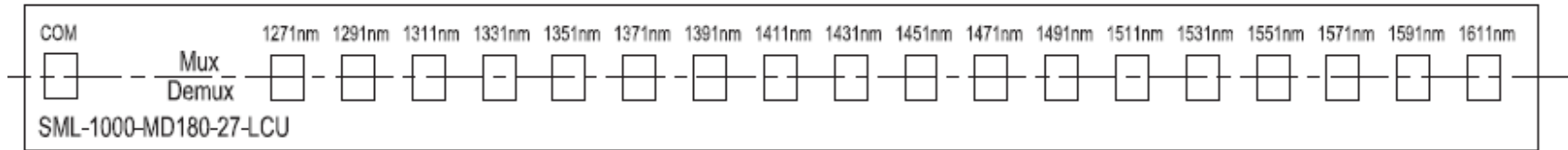
## 3. Compliance

- ◆ Telcordia GR-1209-CORE-2001
- ◆ Telcordia GR-1221-CORE-1999
- ◆ ITU-T G.694.1
- ◆ RoHS

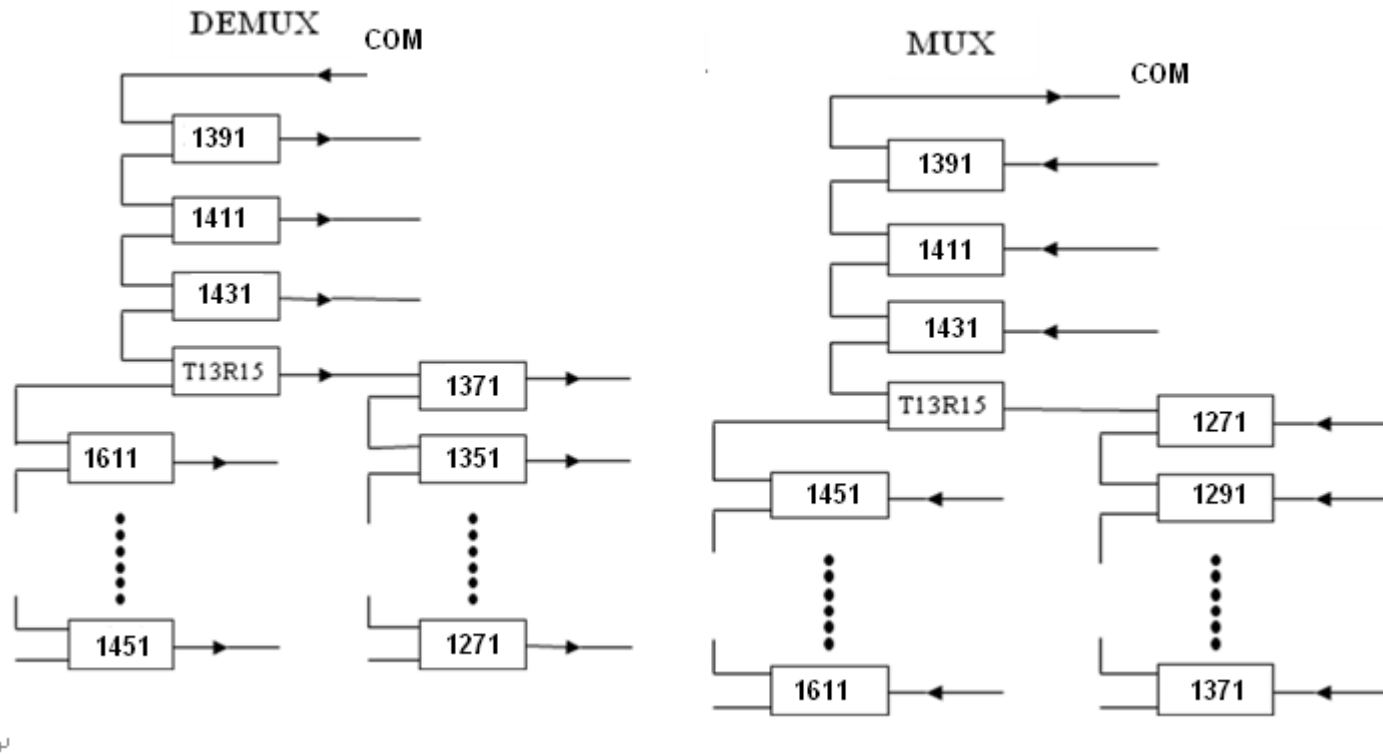
#### 4. Specifications

Parameters		1:18 Mux/Demux
Center Wavelength (nm)		1271-1611
Passband (nm)		ITU±6.5
Operating Wavelength (nm)		1260~1620
Fiber Type		SMF-28e with 0.9mm Loose tube
IL (dB)		≤4.2
Isolation (dB)	Adjacent Channel	≥30
	Non-Adjacent Channel	≥50
Ripple (dB)		≤0.5
PDL (dB)		≤0.2
PMD (ps)		≤0.1
RL (dB)		≥45
Directivity (dB)		≥50
Maximum Optical Power (mw)		500
Fiber length(m)		1.0±0.05
Operating Temperature (°C)		-5~75
Storage Temperature (°C)		-40~85
Package Dimension (mm)		19" 1U Rack-Mount
Connector Type		LC/PC

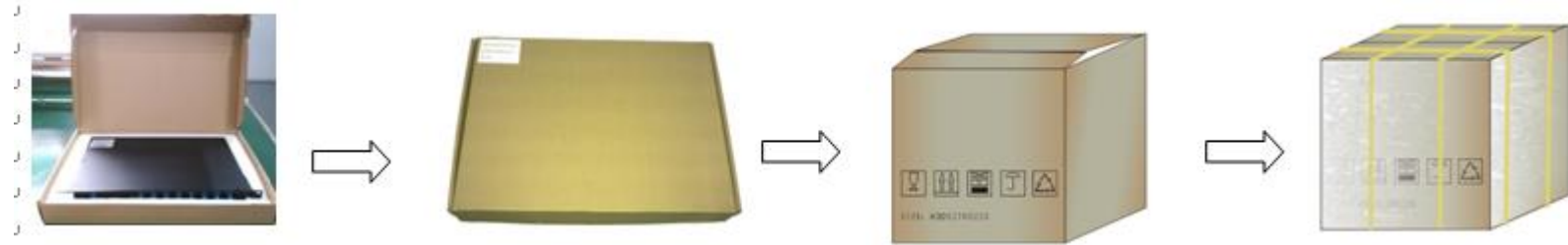
### 5. Front Panel Diagram (rack mounting 1RU)



### 6. Structure Diagram



## 7. Packaging



## 8. Ordering Information

### Ordering information on CWDM passive systems (general Part Number system)

RBX:- 1,2,4,5	MDX:2, 4, 8, 16, 18	<b>X</b>	<b>-MX</b>	<b>-XX</b>	<b>-UX</b>	<b>-LCX</b>
1: 19" rack mountable 1U	2: 2 channels	S: simplex	1: 1% monitor port	27~61 CWDM starting channel	U1: expansion port all upper lambdas	LCU: LC/UPC connector
2: 19" rack mountable 2U	4: 4 channels	D: duplex	3: 3% monitor port		U2: expansion port all lower lambdas	LCA: LC/APC connector
4: card	8: 8 channels					
5: LGX box	16: 16 channels					
8: no box	18: 18 channels					

(bold marked Xs are replaced with appropriate values from the table; missing indents mean the option is not selected)

### Examples:

RB1-MD4D-47-U1-LCU: 19" 1U, mux/demux, 4 channels duplex 1471 to 1531nm, no monitor, expansion port for >1531nm, LC/UPC connectors

RB5-MD8D-M1-27-LCA: LGX box, mux/demux, 8 channels duplex 1271 to 1411nm, 1% monitor port, no expansion, LC/APC connectors

RB1-MD18D-27-LCU: 19" 1U, mux/demux, 18 channels 1271 to 1611nm, no monitor, no expansion port, LC/UPC connectors

RB4-MD8S-47-LCU: card format, simplex single strand mux/demux, 8 channels, 1471 to 1611nm, no monitor or expansion, LC/UPC conn.