



## 10/100/1000Base-T to 1000Base-X Gigabit Ethernet PSE Fiber Converter OFC-1000PSE



The OFC-1000PSE is a copper to fiber Gigabit Ethernet solution designed to make conversion between 10/100/1000 Base-T to 1000Base-SX/LX with SFP LC connector. The OFC-1000PSE complied with IEEE802.3af Power Over Ethernet standard with built-in AC power supply. This PoE media converter is a Power Sourcing Equipment (PSE) which combines data received over a TP link with 48VDC power, providing power to IEEE802.3af powered device (PD) over the existing CAT5 UTP cable. Other features include Link fault pass through (LFP), Store and Forward Switching, auto or forced mode setting for copper Ethernet as well as auto laser shutdown.

### Features

- 10/100/1000Base-T to 1000Base-SX/LX SFP
- Support IEEE 802.3af Compliant PSE (power sourcing equipment)
- Auto-negotiation or forced mode
- Auto MDI/MDIX
- Store and Forward Switching Mechanism
- Support 4K MAC address
- Support 256K Byte Packet Buffer
- Forward 1632 bytes (max.) packets
- Support Link fault pass through (LFP) function

### Optical Interface

Connector	SFP LC
Data rate	1000Mbps
Duplex mode	Full duplex
Fiber	MM 50/125µm, 62.5/125µm. SM 9/125µm
Distance	MM 550m, 2km, SM 15/30/50/80/120km WDM 20/40/60km
Wavelength	MM 1310nm, SM 1310,1550nm WDM 1310Tx/1550Rx (type A) 1550Tx/1310Rx (type B)

### Electrical Interface

Connector	RJ45
Data rate	10Mbps, 100Mbps, 1000Mbps
Duplex mode	Half / Full duplex
Cable	10Base-T Cat.3, 4, 5, UTP 100Base-TX Cat.5, 5e or higher 1000Base-T Cat.5, 5e or higher

### PSE Output Power

Class 0:	15.4w	Class 1:	4w
Class 2:	7w	Class 3:	15.4w

### Standard Indications

IEEE 802.3, 802.3u, 802.3ab, 802.3z, 802.3af, 802.3x  
LED (Power, FX-Link, FX Duplex, TX-SPD, TX-Duplex, TX-Link)

### Power Input

100~240VDC

### Power Consumption

< 5W (with PSE Output Power)

### Dimension

201 x 135 x 35mm (D x W x H)

### Weight

580g

### Temperature

0 ~ 50°C (Operating), -10 ~ 70°C (Storage)

### Humidity

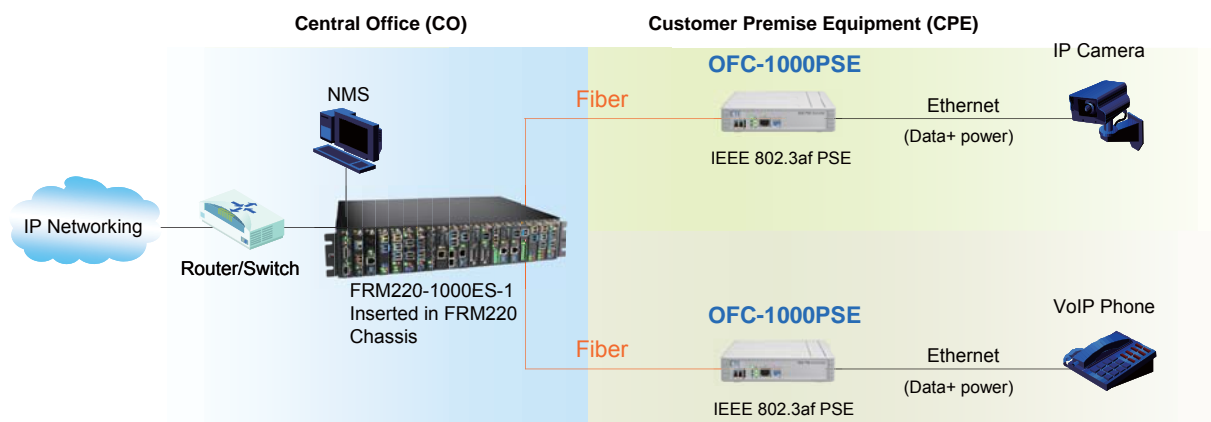
10 ~ 90% non-condensing

### Certification

CE, FCC, LVD, RoHS

### MTBF

75,000 hrs (25°C)



### Ordering Information

OFC-1000PSE-AC: GE PSE media converter with built-in AC power 100 ~240V

OFC-1000PSE-DC: GE PSE media converter with built-in DC power 18 ~ 72V

OFC-1000PSE-AD: GE PSE media converter with AC 100~240V + DC 18 ~72V dual Powers